



XS Lav USB-C Mobile Kit

Omnidirectional Clip-on Microphone with Smartphone Clamp & Manfrotto PIXI Mini Tripod



XS LAV USB-C MOBILE KIT

XS Lav USB-C

Omnidirectional clip-on microphone with a 2 m (6.6') cable and an USB-C connector for enhanced dialogue applications on mobile devices and computers. Delivers a clear, natural sound for interviews, vlogs, podcasts and more. Ideal for voice recordings or video conferencing. Included in the box is a removable foam windscreen and drawstring pouch for storage.

Smartphone Clamp

Made of solid aluminium and provides soft rubber grips for a secure hold for nearly all mobile phones. Includes an adjustable 180-degree locking dial to align a preferred aspect ratio in portrait or landscape.

Manfrotto PIXI Mini Tripod

A durably constructed, lightweight mini tripod with ball head and push-button locking mechanism for flexible positioning and a firm grip. The rubber feet provide a non-slip grip on most surfaces and the extendable legs allow comfortable handheld vlogging with added stability.

FEATURES

- Mobile Kit for vloggers and content creators on the move
- High-quality podcast, video and voice-over recordings
- USB-C connector for mobile devices and PCs
- Simple set-up
- Clear and natural sound
- 2 m (6.6') cable
- Smartphone Clamp with cold shoe mount for portrait or landscape orientation
- Manfrotto PIXI Mini Tripod with adjustable locking ball for flexible positioning and control
- Durably constructed components built to withstand daily use

DELIVERY INCLUDES

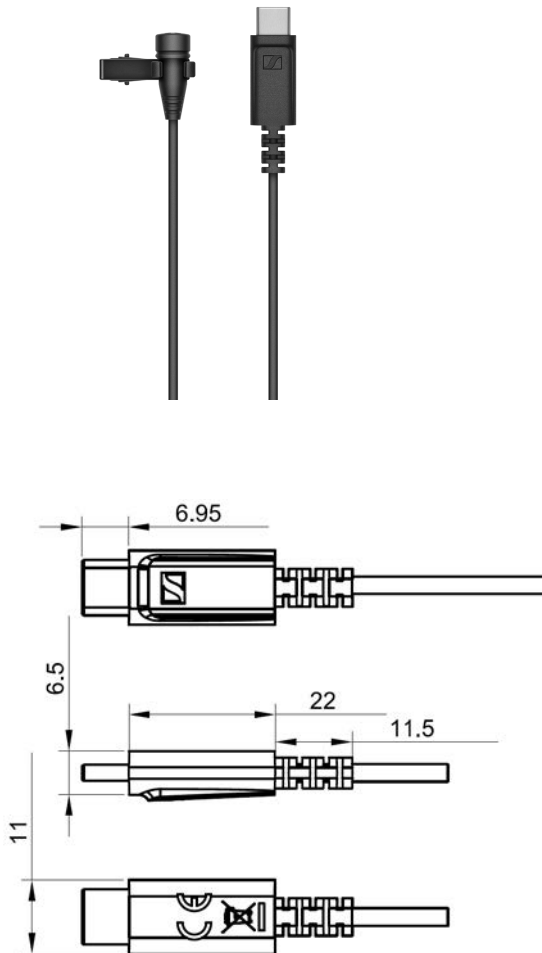
- Clip-on microphone with USB-C connector and 2 m (6.6') cable
- Manfrotto PIXI Mini Tripod
- Sennheiser Smartphone Clamp
- Microphone clip
- XS Lav Foam Windscreen
- Storage pouch



XS Lav USB-C Mobile Kit

Omnidirectional Clip-on Microphone with Smartphone Clamp & Manfrotto PIXI Mini Tripod

DIMENSIONS



SPECIFICATIONS

XS Lav USB-C Clip-on Microphone

Product Properties:

Power supply	by PC/Mac, Android or iPadOS device
Transducer principle	pre-polarized condenser microphone
Pick-up pattern	omni-directional
Connector	USB Type-C - 2.0 Full-Speed
Diameter of microphone	10.5 mm
Weight	17 g
Cable length	2 m

AF Characteristics

Frequency response	70 to 18,000 Hz
Equivalent noise level	32 dB
Sampling rates	8, 16, 32, 44.1, 48 kHz
Sampling resolution	16 Bit
Sensitivity in free field (1 kHz)	-16 dB FS/Pa
Max. SPL at 1 kHz	110 dB

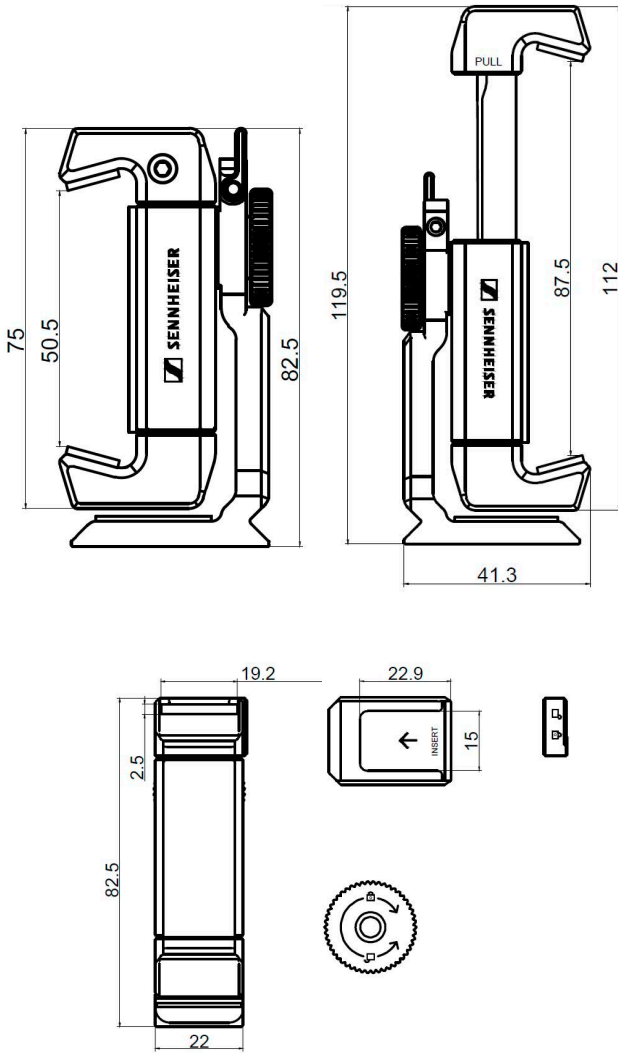
OS Interoperability

Windows:	10.0 or higher
macOS:	10.15 or higher
Linux Kernel:	5.4 or higher
Android:	8.1 or higher
iPadOS:	13 or higher



XS Lav USB-C Mobile Kit Omnidirectional Clip-on Microphone with Smartphone Clamp & Manfrotto PIXI Mini Tripod

DIMENSIONS



SPECIFICATIONS

Smartphone Clamp

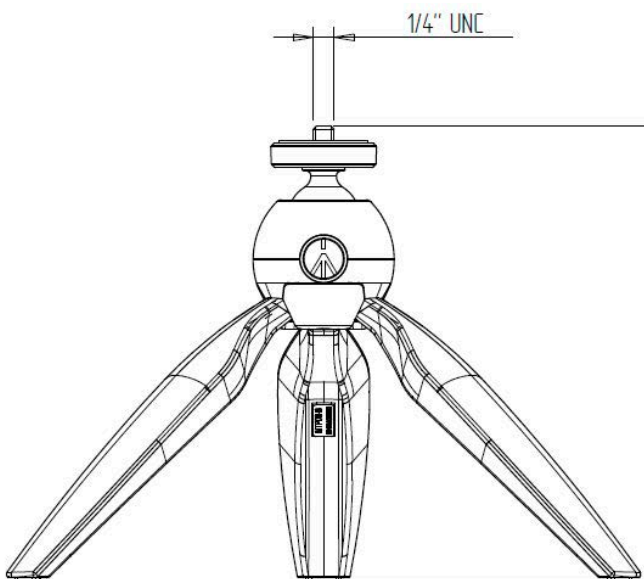
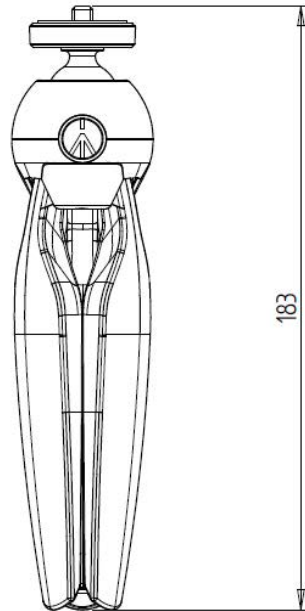
Weight	0.24 lbs / 109 g
Panoramic rotation	360°
Min. clip size	2.2 in / 56 mm
Max. clip size	3.5 in / 89 mm
Mounting interface (top)	Cold Shoe
Mounting interfaces (back)	4 x 1/4"
Mounting interfaces (bottom)	1 x 1/4" 1 x 3/8" Arca Swiss
Material	aluminum, stainless steel
Compatibility (Smartphones)	all smartphones with max width of 3.5 in / 89 mm
Compatibility	all products with cold shoe adapter



XS Lav USB-C Mobile Kit

Omnidirectional Clip-on Microphone with Smartphone Clamp & Manfrotto PIXI Mini Tripod

DIMENSIONS



SPECIFICATIONS

Manfrotto PIXI Mini Tripod

Product Properties:

Weight	0.42 lbs / 190 g
Closed length	7.20 in / 183 mm
Max. height	5.31 in / 135 mm
Min. height	5.31 in / 135 mm
Front tilt	-35° / +35°
Lateral tilt	-35° / +35°
Leg angles	45°

Environmental Conditions:

Material	aluminum, technopolymer
Max. working temperature	140 °F / 60 °C
Min. working temperature	-22 °F / -30 °C

Ball Head

Plate type	fixed - with 1/4"
Panoramic rotation	360°
Safety payload weight	2.2 lbs / 1 kg
Ball locking	Yes
Mounting interface (top)	1/4"
Max. body weight	1.4 lbs / 650 g
Max. focal length	3.4 in / 85 mm