



\* IP65 when using FA30 Way Cover accessory, accessory sold separately

## GANTOM iQx: 3W DMX GOBO PROJECTOR

With the same sharp optics as the original Gantom iQ micro image projector, the Gantom iQx packs even more functionality into the product by integrating DMX control and a pattern generator into the same compact package. Brightness, speed, and pattern can be selected over 3 DMX channels. The fixture can be configured using our free DMX Programmer app.

Built-in patterns include blink, strobe, fade, power surge, and candle flicker — perfect for adding a dynamic element to any display. A projected sign that automatically fades in and out without additional controls is sure to catch any customer's attention.

### FEATURES

- ✓ Smallest pattern projector on the market
- ✓ 3 DMX channels of control: intensity, speed, pattern
- ✓ Programmable to run without DMX signal in standalone mode (DMX Programmer app required)
- ✓ Zoom adjustable using front sliding lens
- ✓ Focus adjustable using rear sliding lens
- ✓ Supports full-color, user-made patterns
- ✓ Cree XP-G LED
- ✓ Internal, constant-current driver
- ✓ Easy installation and reconfiguration

### SPECIFICATIONS

|                    |  |
|--------------------|--|
| GOBO SIZE          | 19mm (0.75in)  |
| MAX WATTAGE        | 2.8W   |
| INPUT VOLTAGE      | 9-15VDC (12VDC nominal)  |
| CURRENT DRAW       | 230mA @ 12VDC  |
| POWER SUPPLY       | Class 2 transformer or battery   |
| BEAM ANGLE         | 25°-40°  |
| INGRESS PROTECTION | IP40 without way cover accessory<br>IP65 when using the FA30 Way Cover Accessory |
| LED                | Cree XLamp XP-G  |
| EXTERIOR FINISH    | Black anodized aluminum  |
| CERTIFICATIONS     | UL and CE  |

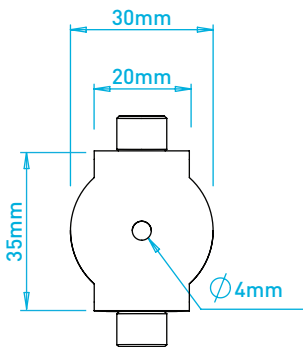
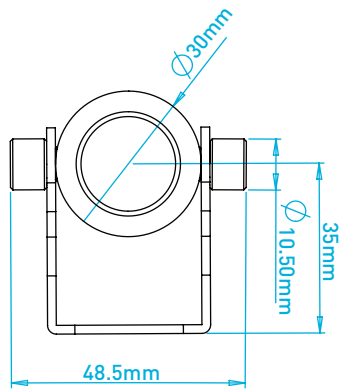
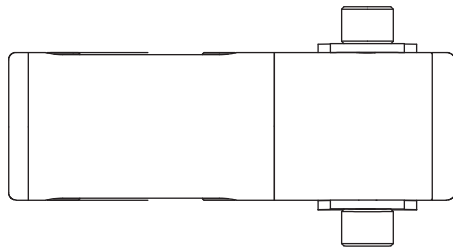
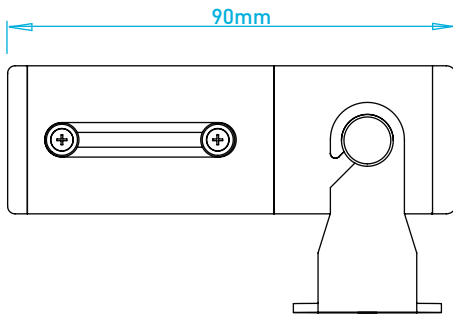
### DMX CHANNEL MAP

| Channel | Name               | Level   | Description   |
|---------|--------------------|---------|---------------|
| Ch 1    | Brightness Level   | 0-255   | Dim to bright |
| Ch 2    | Speed              | /       | *             |
| Ch 3    | Built-In Functions | 32-64   | Fade in       |
|         |                    | 65-96   | Fade out      |
|         |                    | 97-127  | Pulsing       |
|         |                    | 128-159 | Surge         |
|         |                    | 160-191 | Strobe        |
|         |                    | 191-255 | Flicker       |

\* If Ch 3 is 0, Ch 2 controls blink speed  
If Ch 3 is non zero, Ch 2 controls speed of function

### PART NUMBER

|   |       |
|---|-------|
| Gantom iQx - Cool White - Go Cable Connector  | GT41  |
| Gantom iQx - Warm White - Go Cable Connector  | GT42  |
| Gantom iQx - Cool White - Pro Cable Connector | GP241 |
| Gantom iQx - Warm White - Pro Cable Connector | GP242 |

**COOL WHITE OUTPUT**


| Distance        | Center Brightness |                   | Beam Width      |                 |
|-----------------|-------------------|-------------------|-----------------|-----------------|
|                 | 25°               | 40°               | 25°             | 40°             |
| 1.0m<br>(3.3ft) | 510lx<br>(47.4fc) | 368lx<br>(34.2fc) | 0.4m<br>(1.3ft) | 0.6m<br>(2.0ft) |
| 2.0m<br>(6.6ft) | 123lx<br>(11.4fc) | 91lx<br>(8.5fc)   | 0.9m<br>(3.0ft) | 1.3m<br>(4.3ft) |
| 3.0m<br>(9.8ft) | 53lx<br>(4.9fc)   | 38lx<br>(3.5fc)   | 1.3m<br>(4.3ft) | 2.2m<br>(7.2ft) |

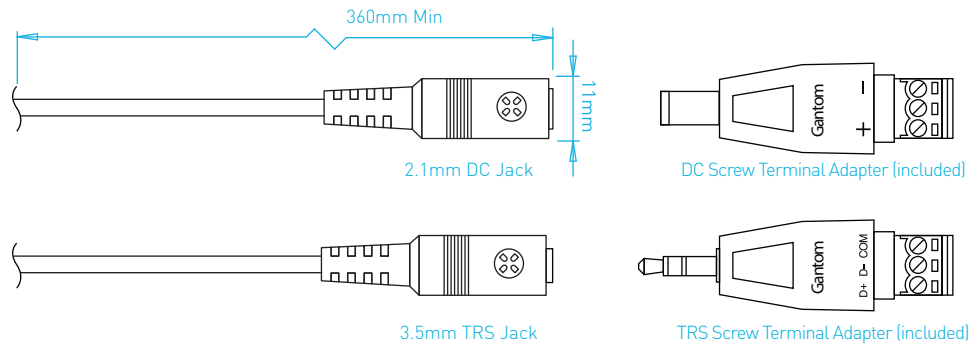
**WARM WHITE OUTPUT**

| Distance        | Center Brightness |                   | Beam Width      |                 |
|-----------------|-------------------|-------------------|-----------------|-----------------|
|                 | 25°               | 40°               | 25°             | 40°             |
| 1.0m<br>(3.3ft) | 340lx<br>(31.6fc) | 232lx<br>(21.6fc) | 0.4m<br>(1.3ft) | 0.6m<br>(2.0ft) |
| 2.0m<br>(6.6ft) | 82lx<br>(7.6fc)   | 63lx<br>(5.9fc)   | 0.9m<br>(3.0ft) | 1.3m<br>(4.3ft) |
| 3.0m<br>(9.8ft) | 38lx<br>(3.5fc)   | 27lx<br>(2.5fc)   | 1.3m<br>(4.3ft) | 2.2m<br>(7.2ft) |

**CONNECTOR OPTIONS**

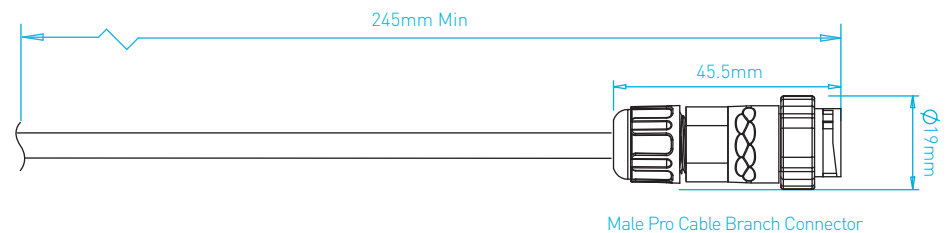
**Go Cable Connector** - Power and data are on separate connectors: power provided using 2.1mm DC jack and signal provided using 3.5mm TRS jack. Compatible with Go Cable system.

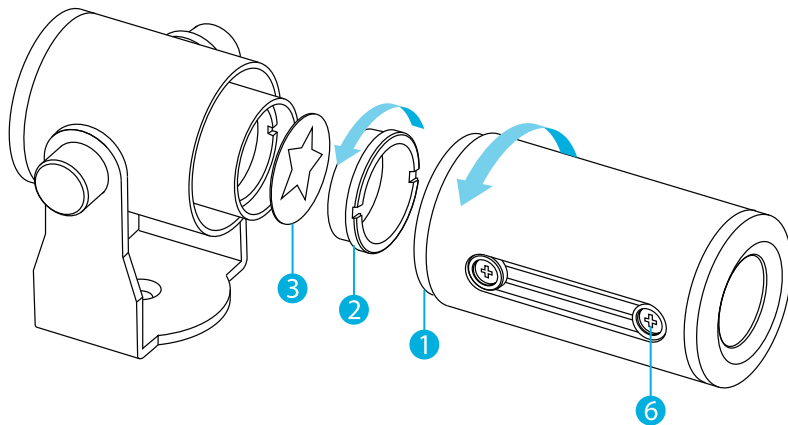
**Recommended for temporary and reconfigurable use.**



**Pro Cable Connector** - Power and data integrated in a single cable with 5-pin, sealed, locking connector. For use with our G8 Distribution Box and Pro Cable system.

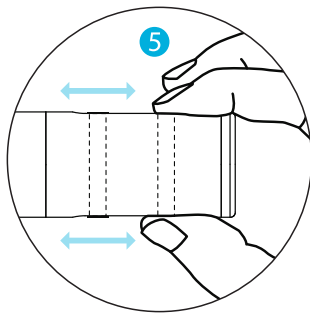
**Recommended for permanent installations.**



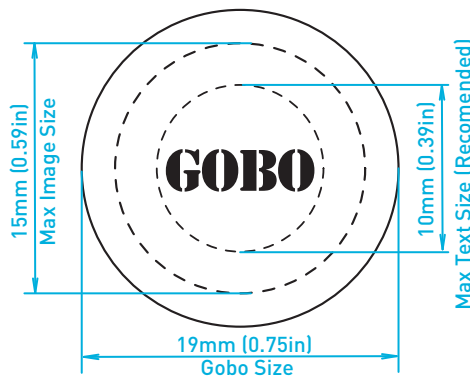


### GOBO INSTALLATION

- 1 Unscrew lens assembly
- 2 Unscrew gobo cap
- 3 Insert gobo pattern or filter into gobo holder
- 4 Reassemble



- 5 Zoom/focus with index finger and thumb pinching both sides of lens assembly (place each finger on opposing lens screw) and slide lens back and forth along adjustment rails. Note: lens will not adjust if only pushing on a single lens screw; both sides of lens must be pushed back and forth together for adjustment.
- 6 If locking of zoom and focus desired, use screwdriver to tighten lens screw.
- 7 If outdoor application, tape up zoom/focus adjustment rails to prevent water/dust from entering lens assembly, otherwise optics will distort.



### FAQ

**Q** What kind of gobos can you use with the Gantom iQ?

**A** Any pattern that is cut into a 19mm (0.75in) diameter disk. Traditional gobos such as stainless steel or glass will work for permanent installations. For temporary events, inexpensive, full-color gobos can be made from 35mm film slides or self-printed onto transparency paper.

For full-color, film gobos, visit: [www.colorslic.com](http://www.colorslic.com). It is important that you know [www.colorslic.com](http://www.colorslic.com) will print your gobo designs but cannot cut them into the correct circular shape. For this we recommend purchasing a 19mm (0.75in) craft punch online or at a craft store. Please note that film slides will fade over time as the film is a photosensitive material. Although this process renders sharp, full-color images at a low price, these slides are designed for temporary use. Please consider stainless steel or glass for permanent applications.

For stainless steel or glass gobos visit: [www.rosco.com](http://www.rosco.com).

**Q** Can I print my own patterns?

**A** Yes! As long as you are able to create well-defined patterns on a 19mm (0.75in) diameter disk that is less than 2mm (0.08in) thick, it will load easily into the Gantom iQ and can render sharp patterns. You can also use a high-resolution inkjet printer to create full-color patterns on transparency paper. However, due to the resolution of typical printers and the amount of magnification with our optics, the projected pattern will not be as sharp as professionally made patterns.

**Q** How long will the Gantom iQ last?

**A** Because this is an LED product, the Gantom iQ is rated for over 50,000 hours of lifetime. Stainless steel or glass gobos should last indefinitely, while 35mm slides will fade over time.

**Q** Can I run this from a battery for portable applications?

**A** Yes, this product only uses about 3W of power and can be powered from a 9V or 12V battery for several hours depending on battery capacity.