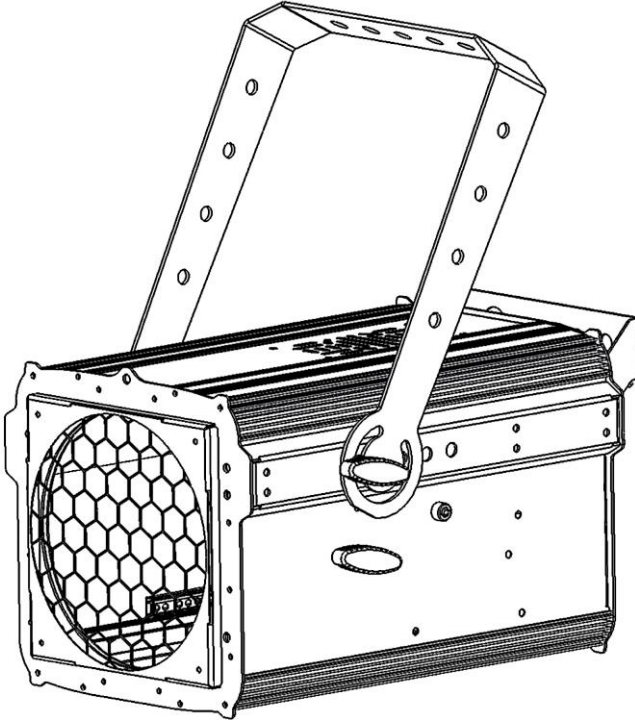


 **FLASH** PROFESSIONAL



LED Fresnel Lantern COB
300W RGBWA+UV Mk2
P8100001

Table of contents

1	Introduction.....	3
2	Safety information	3
3	Security principles relating to UV radiation.....	3
3.1	Threats to health, effects of exposure to UV radiation.....	3
3.2	Personal protective equipment	4
4	Product information	4
4.1	Features	4
4.2	Specification.....	4
5	Installation.....	5
6	Connections.....	5
6.1	Connecting DMX signal.....	5
6.2	Voltage specification	6
6.3	Connecting power supply	6
7	Operation manual.....	6
7.1	Control panel	6
7.2	Master / slave.....	6
7.3	DMX channel list.....	6

Spis treści

1	Wprowadzenie.....	12
2	Zasady bezpieczeństwa	12
3	Zasady bezpieczeństwa dotyczące korzystania z urządzeń emitujących promieniowanie UV	12
3.1	Zagrożenia dla zdrowia, skutki wystawienia na działanie promieniowania UV	12
3.2	Osobiste wyposażenie ochronne	13
4	Informacje o produkcie	13
4.1	Funkcje.....	14
4.2	Specyfikacja.....	14
5	Instalacja	15
6	Połączenia.....	15
6.1	Podłączenie sygnału DMX.....	15
6.2	Specyfikacja zasilania.....	15
6.3	Podłączanie zasilania	15

7	Instrukcja użytkowania	16
7.1	Panel sterowania	16
7.2	Master / slave.....	16
7.3	Lista kanałów DMX.....	17

1 INTRODUCTION

Thank you for purchasing LED Fresnel Lantern COB 300W RGBWA+UV Mk2. For safety reasons and to ensure the trouble-free operation, carefully read the instructions.

2 SAFETY INFORMATION

1. Installation should be done by qualified personnel in order to minimize the risk of accidental electric shock
2. Disconnect the power supply before installation.
3. Before connecting the unit to the mains, make sure it is not damaged mechanically. If you notice any signs of damage you should contact your dealer immediately. Do not connect the device to the mains.
4. Do not use the device in high humidity conditions and at temperatures above 40° C
5. The device must be installed on stable structures
6. Always use steel security cable to attach the device to a stable structure
7. Do not connect power supply to more than 3 devices in series.

3 SECURITY PRINCIPLES RELATING TO UV RADIATION

1. A device emitting UV light can be installed and used only by personnel trained in the knowledge of the hazards when using UV light sources, methods to counteract these threats and the rules of safe use of such sources (particularly the high power sources of UV light). The manufacturer is not responsible for damages resulting from improper use of the device.
2. The device must be installed at a distance from the illuminated people, which ensures a safe staying in a room without compromising the health of the negative effects of UV radiation. The device must be installed in a way as to prevent illumination directly on the skin, face or eyes. The room can be illuminated only by light reflected from the surface (walls, ceilings) - never through direct referral of the reflector in the direction of people in the room.



3.1 Threats to health, effects of exposure to UV radiation

An excessive effect of UV radiation on the body often has no immediate symptoms. Symptoms of overexposure, including the various stages of burns or Photokeratitis, usually occur from 4 to 24 hours after the exposure. There is a possibility that the level of UV intensity emitted by the device significantly exceeds the naturally occurring level (especially at a short distance from the light source).

- **SKIN:** UV radiation can cause erythema (sunburn) within the exposed skin. This involves redness and/or ulcerations, which can have a different intensity. In the case of improper use of the device effects of UV radiation on the skin can occur even after a few seconds of exposure. Symptoms may be different depending on the genetic background. People with pale to fair skin are more prone to sunburn. Some medications (eg. Contraception), and some food products (eg. celery root, figs) may increase sensitivity to UV radiation. Chronic exposure to UV radiation causes premature skin aging, wrinkles and skin cancer.
- **EYES:** UV radiation is dangerous for the eyes, not only for looking directly into the light source, but also when eyes are exposed to the UV rays reflected from surfaces (reflectors with high power). Exposure of the eye to UV radiation can cause corneal damage and Photokeratitis (painful inflammation of the eye caused by changes induced by UV radiation to the cornea). One of the

symptoms may be "feeling of sand in the eyes" which may persist for several days. In extreme cases, it can cause damage to the lens of the eye that can lead to cataracts.

- OTHER THREATS: In addition to significant hazards for the eyes and skin, the impact of UV radiation on substances in the air can lead to the generation of toxic compounds that may be harmful to people in the room.

WARNING! When installing and using the device you should provide appropriate conditions, which prevents the occurrence of risks described above.

3.2 Personal protective equipment

- EYE PROTECTION: Eye protection must be worn at all case where there is possibility of exposure to UV radiation. Glasses should be consistent with ANSI-Z87. Normal eye protection, prescription glasses or contact lenses offer little or no protection. Glasses providing adequate eye protection are marked Z87.1
- PROTECTIVE MASK: In some cases, in addition to safety glasses or goggles, a full face protection should be worn. Masks protect the entire face, especially under the chin, where serious skin burns may occur, even in the short time exposure. Full face protection is recommended in case of long term exposure to UV radiation.
- PROTECTIVE CLOTHING: In some cases it is required to wear protective clothing to prevent burns resulting from exposure of the skin to UV rays

4 PRODUCT INFORMATION

The device is equipped with high-quality, bright COB LED with Red, Green, Blue, White and additional Amber and UV chips. Unique design, high quality and high durability make this device a great tool for both power users and those, who value simplicity and reliability.

The ergonomic double bracket (included) facilitates the use of the device in any condition. In order to expand the range of mounting options, the holder has an additional mounting holes.

The electronics is made of high quality components and offers several features such as:

4.1 Features

- 16-bit dimming resolution
- Various dimming curves for smooth dimming in 8-bit mode
- Dim delay (light bulb simulation)
- Full DMX signal regeneration
- Electronic protection against overheating
- THEATRE or DISCO cooling volume modes.
- Permanent color correction
- Native support for optional wireless DMX module

4.2 Specification

- Power consumption: 300W
- Power supply voltage: 100 - 245V
- Voltage frequency: 50/60Hz
- Diode type: COB 6in1
- Number of diodes: 1

- Diode power: 300W
- Display: Color LCD 1,8"
- Color: RGBWA + UV
- Beam angle (min): 10°
- Beam angle (max): 60°
- Dimming: Linear: 0 - 100%
- Number of DMX channels: 9 channel modes (3-10 channels)
- DMX standard: DMX 512
- Control interface: 4 buttons
- Operating modes: DMX512, Auto, Sound-controlled, Manual color, Master
- Features: 16-bit dimming, DMX Signal regeneration, Electronic protection against overheating
- AC IN: powerCON
- AC OUT: powerCON
- DMX IN: XLR - 3 pin
- DMX OUT: XLR - 3 pin
- IP Rating: IP20
- Cooling: Active
- Height [cm]: 25
- Width [cm]: 37
- Depth [cm]: 45
- Weight [kg]: 10,6
- Set includes: Power cord, bracket, Barn Doors

5 INSTALLATION

After removing the packaging, check if the device was not damaged during transport. Before connecting to the mains, make sure that the device is securely mounted. The manufacturer is not responsible for damage caused by unstable mounting.

CAUTION! Always use steel security cable to attach the device to a stable structure.

Ensure proper connection to the mains and proper grounding. Make sure that the electrical parameters are consistent with device requirements. All activities, including connecting the device to the mains must be performed by qualified personnel.

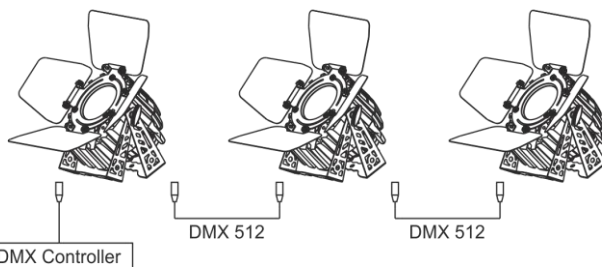
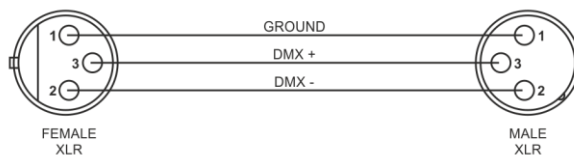
6 CONNECTIONS

The device is equipped with the following interfaces:

1. DMX (in/out): XLR 3-pin socket
2. Power (in/out): powerCON socket

6.1 Connecting DMX signal

The connection is performed using cable with XLR-female -> XLR-Male plugs.



6.2 Voltage specification

Input Voltage	Total Power	Frequency
100-245V	300W	50/60Hz

6.3 Connecting power supply

The connection is performed using power cable with PowerCon connector (included).

The device must be operated by qualified personnel. Make sure that the power grid supply parameters are consistent with device parameters and limitations are not exceeded.

CAUTION! In the case of cable damage do not attempt to repair. Replacement or repair can be made only on the manufacturer or by a person with appropriate permissions.

Maximum number of devices connected in series: 3

7 OPERATION MANUAL

7.1 Control panel

The control panel is equipped with LCD display and 4 control buttons with the following functions:

1. ESC – go back from the selected options, go to upper menu, cancel changes
2. DOWN – choose option, edit parameter
3. UP – choose option, edit parameter
4. ENTER edit selected option, confirm changes

7.2 Master / slave

To achieve desired effects with Master/slave mode set the first device in DMX chain as Master (*MASTER* function is [ON]). Set the following devices to *DMX mode* -> *Classic 8* -> *CH 001*

7.3 DMX channel list

Classic 10 [10CH]		
Channel	Function	Effect
CH 1	Dimmer	0-255: 0-100%
CH 2	Strobe	0-10: No Function 11-255: Strobe 1-20Hz
CH 3	Red	0-255: 0-100%
CH 4	Green	0-255: 0-100%
CH 5	Blue	0-255: 0-100%
CH 6	White	0-255: 0-100%
CH 7	Color / Macro	0-5: no function 6-10: red ▲ 11-15: green ▲ 16-20: blue ▲ 21-25: cyan ▲ 26-30: magenta ▲ 31-35: yellow ▲ 36-40: light-red ▲ 41-45: light-green ▲ 46-50: light-blue ▲ 51-55: orange ▲ 56-60: mint ▲ 61-65: sky blue ▲ 66-70: light-cyan ▲ 71-75: light-magenta ▲ 76-80: light-yellow ▲ 81-85: white △ 86-90: white 9000k △ 91-95: white 6500k △ 96-100: white 5600k △ 101-105: white 5000k △ 106-110: white 4500k △ 111-115: white 3200k △ 116-120: white 2500k △ 121-125: white 2200k △ 126-130: macro 1 - step change: red-green-blue 131-135: macro 2 - step change: red-green-blue-cyan-magenta-yellow-white 136-140: macro 3 - step change: red-green-blue-cyan-magenta-yellow 141-145: macro 4 - step change: red-magenta-blue-cyan-green-yellow 146-150: macro 5 - fade: red-green-blue 151-155: macro 6 - fade: red-green-blue-cyan-magenta-yellow-white 156-160: macro 7 - fade: red-green-blue-cyan-magenta-yellow 161-165: macro 8 - fade: red-magenta-blue-cyan-green-yellow 166-170: macro 9 - fade: red-orange-yellow 171-175: macro 10 - fade: red-violet-blue-magenta 176-180: macro 11 - fade: green-cyan-blue-violet 181-235: no function 236-240: sound mode 1 - step change: red-green-blue 241-245: sound mode 2 - step change: red-green-blue-cyan-magenta-yellow-white 246-250: sound mode 3 - step change: red-green-blue-cyan-magenta-yellow 251-255: sound mode 4 - step change: red-magenta-blue-cyan-green-yellow
CH 8	Speed	<u>if CH7 is set to 6-125 (color)</u> 0-5: no function 6-255: pulse speed, fast to slow <u>if CH7 is set to 126-180 (macro)</u> 0-255: macro speed, fast to slow
CH 9	Amber	0-255: 0-100%
CH 10	UV	0-255: 0-100%

Standard 8 [8CH]

Channel	Function	Effect
CH 1	Dimmer	0-255: 0-100%
CH 2	Strobe	0-10: No Function 11-255: Strobe 1-20Hz
CH 3	Red	0-255: 0-100%
CH 4	Green	0-255: 0-100%
CH 5	Blue	0-255: 0-100%
CH 6	White	0-255: 0-100%
CH 7	Amber	0-255: 0-100%
CH 8	UV	0-255: 0-100%

Standard 10 [10CH]

Channel	Function	Effect
CH 1	Dimmer	0-255: 0-100%
CH 2	Strobe	0-10: No Function 11-255: Strobe 1-20Hz
CH 3	Red	0-255: 0-100%
CH 4	Green	0-255: 0-100%
CH 5	Blue	0-255: 0-100%
CH 6	White	0-255: 0-100%
CH 7	Amber	0-255: 0-100%
CH 8	UV	0-255: 0-100%
CH 9	Color / Macro	0-5: no function 6-10: red ▲ 11-15: green ▲ 16-20: blue ▲ 21-25: cyan ▲ 26-30: magenta ▲ 31-35: yellow ▲ 36-40: light-red ▲ 41-45: light-green ▲ 46-50: light-blue ▲ 51-55: orange ▲ 56-60: mint ▲ 61-65: sky blue ▲ 66-70: light-cyan ▲ 71-75: light-magenta ▲ 76-80: light-yellow ▲ 81-85: white △ 86-90: white 9000k △ 91-95: white 6500k △ 96-100: white 5600k △ 101-105: white 5000k △ 106-110: white 4500k △ 111-115: white 3200k △ 116-120: white 2500k △ 121-125: white 2200k △ 126-130: macro 1 - step change: red-green-blue 131-135: macro 2 - step change: red-green-blue-cyan-magenta-yellow-white 136-140: macro 3 - step change: red-green-blue-cyan-magenta-yellow 141-145: macro 4 - step change: red-magenta-blue-cyan-green-yellow 146-150: macro 5 - fade: red-green-blue 151-155: macro 6 - fade: red-green-blue-cyan-magenta-yellow-white 156-160: macro 7 - fade: red-green-blue-cyan-magenta-yellow 161-165: macro 8 - fade: red-magenta-blue-cyan-green-yellow 166-170: macro 9 - fade: red-orange-yellow

		171-175: macro 10 - fade: red-violet-blue-magenta 176-180: macro 11 - fade: green-cyan-blue-violet 181-235: no function 236-240: sound mode 1 - step change: red-green-blue 241-245: sound mode 2 - step change: red-green-blue-cyan-magenta-yellow-white 246-250: sound mode 3 - step change: red-green-blue-cyan-magenta-yellow 251-255: sound mode 4 - step change: red-magenta-blue-cyan-green-yellow
CH 10	Speed	<u>if CH7 is set to 6-125 (color)</u> 0-5: no function 6-255: pulse speed, fast to slow <u>if CH7 is set to 126-180 (macro)</u> 0-255: macro speed, fast to slow

Pro 8 [8CH]

Channel	Function	Effect
CH 1	Red	0-255: 0-100%
CH 2	Green	0-255: 0-100%
CH 3	Blue	0-255: 0-100%
CH 4	White	0-255: 0-100%
CH 5	Amber	0-255: 0-100%
CH 6	UV	0-255: 0-100%
CH 7	Dimmer	0-255: 0-100%
CH 8	Strobe	0-10: no function 11-255: strobe 1-20Hz

Pro 9 [9CH]

Channel	Function	Effect
CH 1	Red	0-255: 0-100%
CH 2	Green	0-255: 0-100%
CH 3	Blue	0-255: 0-100%
CH 4	White	0-255: 0-100%
CH 5	Amber	0-255: 0-100%
CH 6	UV	0-255: 0-100%
CH 7	Dimmer	0-255: 0-100%
CH 8	Dimmer fine	0-255: fine adjustment (16-bit)
CH 9	Strobe	0-10: no Function 11-255: strobe 1-20Hz

RGB [3CH]

Channel	Function	Effect
CH 1	Red	0-255: 0-100%
CH 2	Green	0-255: 0-100%
CH 3	Blue	0-255: 0-100%

RGBWA+UV [6CH]

Channel	Function	Effect
CH 1	Red	0-255: 0-100%
CH 2	Green	0-255: 0-100%
CH 3	Blue	0-255: 0-100%
CH 4	White	0-255: 0-100%
CH 5	Amber	0-255: 0-100%
CH 6	UV	0-255: 0-100%

RGB 16-bit [6CH]

Channel	Function	Effect
CH 1	Red	0-255: 0-100%
CH 2	Red fine	0-255: fine adjustment
CH 3	Green	0-255: 0-100%
CH 4	Green fine	0-255: fine adjustment
CH 5	Blue	0-255: 0-100%
CH 6	Blue fine	0-255: fine adjustment

RGBWA+UV 16-bit [12CH]

Channel	Function	Effect
CH 1	Red	0-255: 0-100%
CH 2	Red fine	0-255: fine adjustment
CH 3	Green	0-255: 0-100%
CH 4	Green fine	0-255: fine adjustment
CH 5	Blue	0-255: 0-100%
CH 6	Blue fine	0-255: fine adjustment
CH 7	White	0-255: 0-100%
CH 8	White fine	0-255: fine adjustment
CH 9	Amber	0-255: 0-100%
CH 10	Amber fine	0-255: fine adjustment
CH 11	UV	0-255: 0-100%
CH 12	UV fine	0-255: fine adjustment

Flash A-DMX [8CH]		
Channel	Function	Effect
CH 1	Red	0-255: 0-100%
CH 2	Green	0-255: 0-100%
CH 3	Blue	0-255: 0-100%
CH 4	White	0-255: 0-100%
CH 5	Dimmer	0-255: 0-100%
CH 6	EMPTY	0-255: no function
CH 7	Strobe	0-10: no function 11-255: strobe 1-20Hz
CH 8	Color / Macro	0-5: no function 6-10: red ▲ 11-15: green ▲ 16-20: blue ▲ 21-25: cyan ▲ 26-30: magenta ▲ 31-35: yellow ▲ 36-40: light-red ▲ 41-45: light-green ▲ 46-50: light-blue ▲ 51-55: orange ▲ 56-60: mint ▲ 61-65: sky blue ▲ 66-70: light-cyan ▲ 71-75: light-magenta ▲ 76-80: light-yellow ▲ 81-85: white ▲ 86-90: white 9000K ▲ 91-95: white 6500K ▲ 96-100: white 5600K ▲ 101-105: white 5000K ▲ 106-110: white 4500K ▲ 111-115: white 3200K ▲ 116-120: white 2500K ▲ 121-125: white 2200K ▲ 126-130: macro 1 - step change: red-green-blue 131-135: macro 2 - step change: red-green-blue-cyan-magenta-yellow-white 136-140: macro 3 - step change: red-green-blue-cyan-magenta-yellow 141-145: macro 4 - step change: red-magenta-blue-cyan-green-yellow 146-150: macro 5 - fade: red-green-blue 151-155: macro 6 - fade: red-green-blue-cyan-magenta-yellow-white 156-160: macro 7 - fade: red-green-blue-cyan-magenta-yellow 161-165: macro 8 - fade: red-magenta-blue-cyan-green-yellow 166-170: macro 9 - fade: red-orange-yellow 171-175: macro 10 - fade: red-violet-blue-magenta 176-180: macro 11 - fade: green-cyan-blue-violet 181-235: no function 236-240: sound mode 1 - step change: red-green-blue 241-245: sound mode 2 - step change: red-green-blue-cyan-magenta-yellow-white 246-250: sound mode 3 - step change: red-green-blue-cyan-magenta-yellow 251-255: sound mode 4 - step change: red-magenta-blue-cyan-green-yellow

1 WPROWADZENIE

Dziękujemy za zakup urządzenia LED Fresnel Lantern COB 300W RGBWA+UV Mk2. Ze względów bezpieczeństwa oraz w celu zapewnienia bezawaryjnej pracy urządzenia należy dokładnie zapoznać się z instrukcją.

2 ZASADY BEZPIECZEŃSTWA

1. Instalacja powinna być przeprowadzana przez wykwalifikowany personel, aby zminimalizować ryzyko przypadkowego porażenia prądem
2. Przed instalacją należy odłączyć urządzenie od sieci
3. Przed podłączeniem urządzenia do sieci energetycznej należy sprawdzić, czy nie jest ono uszkodzone mechanicznie. Jeżeli widoczne są jakiegokolwiek ślady uszkodzenia należy niezwłocznie skontaktować się z dystrybutorem. Nie podłączać urządzenia do sieci elektrycznej.
4. Nie należy korzystać z urządzenia w warunkach dużej wilgotności powietrza oraz w temperaturze powyżej 40° C
5. Urządzenie należy instalować na stabilnych konstrukcjach
6. Należy zawsze używać stalowej linki zabezpieczającej w celu zapewnienia dodatkowego mocowania do stabilnej konstrukcji.
7. Nie łączyć szeregowo kablem zasilającym więcej niż 3 urządzeń.

3 ZASADY BEZPIECZEŃSTWA DOTYCZĄCE KORZYSTANIA Z URZĄDZEŃ EMITUJĄCYCH PROMIENIOWANIE UV

1. Urządzenie emitujące światło UV może być instalowane i używane tylko przez wykwalifikowany personel, przeszkolony w zakresie wiedzy o zagrożeniach występujących podczas korzystania ze źródeł światła UV, sposobach przeciwdziałania tym zagrożeniom oraz zasad bezpiecznego korzystania z takich źródeł (w szczególności ze źródeł światła UV dużej mocy). Producent nie ponosi odpowiedzialności za szkody wynikające z niewłaściwego korzystania z urządzenia.



2. Urządzenie musi być zainstalowane w takiej odległości od oświetlanych osób, która zapewnia bezpieczne przebywanie w pomieszczeniu bez narażania zdrowia na negatywne skutki działania promieniowania UV. Urządzenie musi być zainstalowane w taki sposób, aby uniemożliwić świecenie bezpośrednio na skórę, twarz lub w oczy. Pomieszczenie może być oświetlone tylko światłem odbitym od powierzchni (ściany, sufitu) - nigdy poprzez bezpośrednie skierowanie reflektora w kierunku osób znajdujących się w pomieszczeniu.

3.1 Zagrożenia dla zdrowia, skutki wystawienia na działanie promieniowania UV

Nadmierne działanie promieniowanie UV na organizm często nie ma natychmiastowych objawów. Objawy nadmiernej ekspozycji, w tym różne stadia oparzeń lub ślepoty śnieżnej zwykle pojawiają się od 4 do 24 godzin po wystąpieniu ekspozycji. Istnieje możliwość, że poziom natężenia promieniowania UV w reflektorach znacznie przekracza poziom występujący w przyrodzie (szczególnie w niewielkiej odległości od źródła światła).

- **SKÓRA:** Promieniowanie UV może spowodować rumień (oparzenie słoneczne) w obrębie odsłoniętej skóry. Wiąże się to z zaczerwienieniami i/lub owrzodzeniami, które mogą mieć różną

intensywność. W przypadku niewłaściwego korzystania z urządzenia skutki działania promieniowania UV na skórę mogą wystąpić nawet po kilku sekundach ekspozycji. Objawy mogą różnić się w zależności od uwarunkowań genetycznych. Osoby o jasnej karnacji są bardziej podatne na oparzenia słoneczne. Niektóre leki (np. antykoncepcyjne) oraz niektóre produkty spożywcze (np. seler, figi) mogą zwiększyć nadwrażliwość na promieniowanie UV. Przewlekła ekspozycja na promieniowanie UV powoduje przedwczesne starzenie się skóry, zmarszczki i raka skóry.

- **OCZY:** Promieniowanie UV jest niebezpieczne dla wzroku nie tylko w przypadku bezpośredniego patrzenia w źródło światła, ale również w przypadku wystawienia oczu na działanie promieni odbitych od różnych powierzchni (reflektory o dużej mocy). Wystawienie oczu na działanie promieniowania UV może spowodować uszkodzenie rogówki i ślepotę śnieżną (bolesne zapalenie oka spowodowane przez zmiany wywołane promieniowaniem UV na rogówkę). Jednym z objawów może być "uczucie piasku w oczach", które może utrzymywać się kilka dni. W skrajnych przypadkach może dojść do uszkodzenia soczewki oka, które może prowadzić do zaćmy.
- **INNE ZAGROŻENIA:** Oprócz istotnych zagrożeń dla oczu i skóry, oddziaływanie promieniowania UV na substancje zawarte w powietrzu może prowadzić do powstawania związków toksycznych, które mogą być szkodliwe dla osób znajdujących się w pomieszczeniu.

UWAGA! Instalując urządzenie i korzystając z niego należy zapewnić odpowiednie warunki, uniemożliwiające wystąpienie opisanych powyżej zagrożeń.

3.2 Osobiste wyposażenie ochronne

- **OCHRONA OCZU:** Ochronniki oczu powinny być noszone w każdym przypadku, w którym istnieje możliwość narażenia na promieniowanie UV. Okulary powinny być zgodne ze standardem ANSI-Z87. Normalna ochrona oczu, okulary korekcyjne lub soczewki kontaktowe oferują niewielką ochronę lub jej brak. Okulary zapewniające odpowiednią ochronę oczu posiadają oznaczenie Z 87.1
- **MASKI OCHRONNE:** W niektórych przypadkach oprócz okularów ochronnych lub gogli należy nosić pełną osłonę twarzy. Maski chronią całą twarz, zwłaszcza pod brodą, gdzie mogą wystąpić poważne oparzenia skóry, nawet w krótkim czasie ekspozycji. Pełna osłona twarzy jest zalecana w przypadku długotrwałego narażenia na promieniowanie UV.
- **ODZIEŻ OCHRONNA:** W niektórych przypadkach wymagane jest noszenie odzieży ochronnej, która zapobiega oparzeniom wynikającym z ekspozycji skóry na działanie promieni UV

4 INFORMACJE O PRODUKCIE

Urządzenie wyposażone jest w wysokiej jakości, jasną diodę LED COB z chipami w kolorach: czerwonym, zielonym, niebieskim, białym oraz – dodatkowo - bursztynowym i UV. Wyjątkowe wzornictwo, wysoka jakość wykonania oraz materiały zapewniające dużą trwałość czynią to urządzenie doskonałym narzędziem zarówno dla wymagających użytkowników jak i osób ceniących prostotę i niezawodność.

Znajdujący się w komplecie ergonomiczny uchwyt ułatwia korzystanie z urządzenia w każdych warunkach. W celu poszerzenia zakresu możliwości montażu urządzenia na konstrukcjach stalowych zastosowano w uchwycie dodatkowe otwory montażowe.

Moduł elektroniczny wykonany z wysokiej jakości komponentów oferuje szereg funkcji takich jak:

4.1 Funkcje

- 16-bitowa rozdzielczość sterowania jasnością
- Możliwość zmiany charakterystyki sterowania jasnością (krzywe jasności)
- Tryb opóźnienia reakcji na regulację jasności (symulacja żarówki)
- Pełna regeneracja sygnału DMX
- Elektroniczne zabezpieczenie przed przegrzaniem
- Możliwość wyboru spośród dwóch trybów głośności chłodzenia: THEATRE lub DISCO
- Możliwość stałej korekcji barwy
- Natywna obsługa opcjonalnego bezprzewodowego modułu DMX

4.2 Specyfikacja

- Pobór mocy: 300W
- Napięcie zasilania: 100 - 245V
- Częstotliwość napięcia: 50/60Hz
- Typ diody: COB 6w1
- Ilość diod: 1
- Moc diody: 300W
- Wyświetlacz: kolorowy LCD 1,8"
- Barwa: RGBWA + UV
- Kąt świecenia (min): 10°
- Kąt świecenia (max): 60°
- Ściemnianie: Płynne: 0 - 100%
- Ilość kanałów DMX: 9 układów kanałów DMX (3-10 kanałów)
- Standard DMX: DMX 512
- Sterowanie: 4 przyciski
- Tryby pracy: DMX512, Auto, sterowanie dźwiękiem, ręczne ustawienie koloru, Master
- Funkcje: 16-bitowa rozdzielczość regulacji jasności, Regeneracja sygnału DMX, Elektroniczne zabezpieczenie przed przegrzaniem
- AC IN: powerCON
- AC OUT: powerCON
- DMX IN: XLR - 3 pin
- DMX OUT: XLR - 3 pin
- Stopień ochrony IP: IP20
- Rodzaj obudowy: ABS
- Chłodzenie: Aktywne
- Wysokość [cm]: 25
- Szerokość [cm]: 37
- Głębokość [cm]: 45
- Waga [kg]: 10,6
- W zestawie: Kabel zasilający, pałąk, Zestaw przysłon zewnętrznych (Barn Door)

5 INSTALACJA

Po wyjęciu urządzenia z opakowania należy sprawdzić czy nie zostało ono uszkodzone podczas transportu. Przed podłączeniem do sieci elektrycznej należy upewnić się, że urządzenie zamocowane jest stabilnie. Producent nie ponosi odpowiedzialności za uszkodzenia spowodowane niestabilnym zamocowaniem urządzenia.

UWAGA! Należy zawsze używać stalowej linki zabezpieczającej w celu zapewnienia dodatkowego mocowania do stabilnej konstrukcji.

Podczas korzystania z urządzenia należy zadbać o poprawne podłączenie go do sieci elektrycznej oraz prawidłowe uziemienie. Należy upewnić się, że parametry sieci elektrycznej są zgodne z wymaganiami urządzenia. Wszelkie czynności obejmujące obsługę w zakresie podłączania urządzenia do sieci elektrycznej powinny być wykonywane przez wykwalifikowany personel.

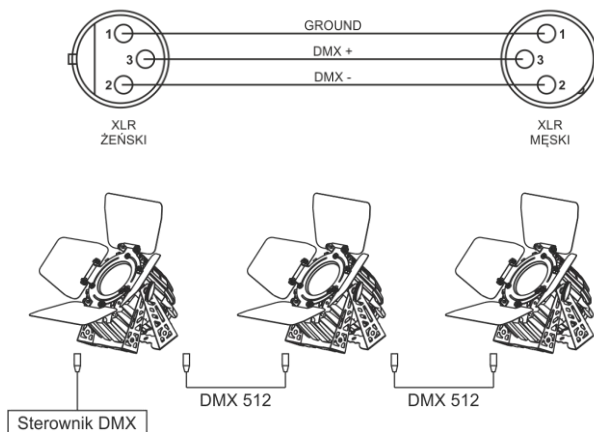
6 POŁĄCZENIA

Urządzenie wyposażone jest w następujące interfejsy:

1. DMX (wejście/wyjście) – złącza: XLR 3-pin
2. Zasilanie (wejście/wyjście) - złącza: powerCON

6.1 Podłączenie sygnału DMX

Połączenie odbywa się przy użyciu przewodu z wtyczkami XLR-Żeński -> XLR-Męski



6.2 Specyfikacja zasilania

Napięcie zasilania	Pobór mocy	Częstotliwość zasilania
100-245V	300W	50/60Hz

6.3 Podłączanie zasilania

Połączenie odbywa się przy użyciu przewodu zakończonego z jednej strony wtyczką sieci elektrycznej i wtyczką typu powerCON z drugiej strony (w zestawie).

Urządzenie musi być obsługiwane przez wykwalifikowany personel. Należy upewnić się, że parametry zasilania sieci energetycznej są zgodne z parametrami urządzenia i nie zostają przekroczone ograniczenia dotyczące poboru energii elektrycznej z sieci.

UWAGA! W przypadku uszkodzenia przewodu nie należy dokonywać samodzielnej naprawy. Wymiana lub naprawa może być wykonana jedynie w serwisie producenta lub przez osobę z odpowiednimi uprawnieniami.

Maksymalna ilość urządzeń połączonych szeregowo kablem zasilającym: 3

7 INSTRUKCJA UŻYTKOWANIA

7.1 Panel sterowania

Panel sterowania wyposażony jest w wyświetlacz LCD oraz w 4 przyciski sterujące o następujących funkcjach:

1. ESC – wyjście do menu wyższego poziomu, anulowanie zmian
2. DOWN – wybór opcji, edycja parametru
3. UP – wybór opcji, edycja parametru
4. ENTER – edycja wybranej opcji, zatwierdzenie zmian

7.2 Master / slave

Aby uzyskać efekt sterowania Master/slave dla urządzeń połączonych szeregowo, pierwsze urządzenie w szeregu należy przełączyć w tryb Master (funkcja *MASTER* włączona [ON]). Kolejne urządzenia należy ustawić w tryb *DMX mode* -> *Classic 8* -> *CH 001*

7.3 Lista kanałów DMX

Classic 10 [10CH]		
Kanał	Funkcja	Efekt
CH 1	Jasność	0-255: 0-100%
CH 2	Strobo	0-10: brak funkcji 11-255: Strobo 1-20Hz
CH 3	Czerwony	0-255: 0-100%
CH 4	Zielony	0-255: 0-100%
CH 5	Niebieski	0-255: 0-100%
CH 6	Biały	0-255: 0-100%
CH 7	Kolor/Macro	0-5: brak funkcji 6-10: Czerwony ▲ 11-15: Zielony ▲ 16-20: Niebieski ▲ 21-25: Cyan ▲ 26-30: Magenta ▲ 31-35: Żółty ▲ 36-40: Jasnoczerwony ▲ 41-45: Jasnzielony ▲ 46-50: Jasnoniebieski ▲ 51-55: Pomarańczowy ▲ 56-60: Miętowy ▲ 61-65: Błękitny ▲ 66-70: Jasny Cyan ▲ 71-75: Jasny Magenta ▲ 76-80: Jasnożółty ▲ 81-85: Biały △ 86-90: Biały 9000K △ 91-95: Biały 6500K △ 96-100: Biały 5600K △ 101-105: Biały 5000K △ 106-110: Biały 4500K △ 111-115: Biały 3200K △ 116-120: Biały 2500K △ 121-125: Biały 2200K △ 126-130: Macro 1 - Czerwony-Zielony-Niebieski 131-135: Macro 2 - Czerwony-Zielony-Niebieski-Cyan-Magenta-Żółty-Biały 136-140: Macro 3 - Czerwony-Zielony-Niebieski-Cyan-Magenta-Żółty 141-145: Macro 4 - Czerwony-Magenta-Niebieski-Cyan-Zielony-Żółty 146-150: Macro 5 – płynna zmiana: Czerwony-Zielony-Niebieski 151-155: Macro 6 - płynna zmiana: Czerwony-Zielony-Niebieski-Cyan-Magenta-Żółty-Biały 156-160: Macro 7 - płynna zmiana: Czerwony-Zielony-Niebieski-Cyan-Magenta-Żółty 161-165: Macro 8 - płynna zmiana: Czerwony-Magenta-Niebieski-Cyan-Zielony-Żółty 166-170: Macro 9 - płynna zmiana: Czerwony-Pomarańczowy-Żółty 171-175: Macro 10 - płynna zmiana: Czerwony-Fioletowy-Niebieski-Magenta 176-180: Macro 11 - płynna zmiana: Zielony-Cyan-Niebieski-Fioletowy 181-235: brak funkcji 236-240: sterowanie dźwiękiem 1: Czerwony-Zielony-Niebieski 241-245: sterowanie dźwiękiem 2: Czerwony-Zielony-Niebieski-Cyan-Magenta-Żółty-Biały 246-250: sterowanie dźwiękiem 3: Czerwony-Zielony-Niebieski-Cyan-Magenta-Żółty 251-255: sterowanie dźwiękiem 4: Czerwony-Magenta-Niebieski-Cyan-Zielony-Żółty

CH 8	Prędkość	<p><u>Dla wartości 6-125 (kolor) ustawionych w kanale 7 (CH7)</u> 0-5: brak funkcji 6-255: pulsowanie, szybko-wolno</p> <p><u>Dla wartości 126-180 (macro) ustawionych w kanale 7 (CH7)</u> 0-255: prędkość efektów Macro, szybko-wolno</p>
CH 9	Amber	0-255: 0-100%
CH 10	UV	0-255: 0-100%

Standard 8 [8CH]

Kanał	Funkcja	Efekt
CH 1	Jasność	0-255: 0-100%
CH 2	Strobo	0-10: brak funkcji 11-255: Strobo 1-20Hz
CH 3	Czerwony	0-255: 0-100%
CH 4	Zielony	0-255: 0-100%
CH 5	Niebieski	0-255: 0-100%
CH 6	Biały	0-255: 0-100%
CH 7	Amber	0-255: 0-100%
CH 8	UV	0-255: 0-100%

Standard 10 [10CH]

Kanał	Funkcja	Efekt
CH 1	Jasność	0-255: 0-100%
CH 2	Strobo	0-10: brak funkcji 11-255: Strobo 1-20Hz
CH 3	Czerwony	0-255: 0-100%
CH 4	Zielony	0-255: 0-100%
CH 5	Niebieski	0-255: 0-100%
CH 6	Biały	0-255: 0-100%
CH 7	Amber	0-255: 0-100%
CH 8	UV	0-255: 0-100%
CH 9	Kolor/Macro	0-5: brak funkcji 6-10: Czerwony ▲ 11-15: Zielony ▲ 16-20: Niebieski ▲ 21-25: Cyan ▲ 26-30: Magenta ▲ 31-35: Żółty ▲ 36-40: Jasnoczerwony ▲ 41-45: Jasnozielony ▲ 46-50: Jasnoniebieski ▲ 51-55: Pomarańczowy ▲ 56-60: Miętowy ▲ 61-65: Błękitny ▲ 66-70: Jasny Cyan ▲ 71-75: Jasny Magenta ▲ 76-80: Jasnożółty ▲ 81-85: Biały △ 86-90: Biały 9000K △ 91-95: Biały 6500K △ 96-100: Biały 5600K △ 101-105: Biały 5000K △ 106-110: Biały 4500K △ 111-115: Biały 3200K △

		<p>116-120: Biały 2500K △ 121-125: Biały 2200K △ 126-130: Macro 1 - Czerwony-Zielony-Niebieski 131-135: Macro 2 - Czerwony-Zielony-Niebieski-Cyan-Magenta-Żółty-Biały 136-140: Macro 3 - Czerwony-Zielony-Niebieski-Cyan-Magenta-Żółty 141-145: Macro 4 - Czerwony-Magenta-Niebieski-Cyan-Zielony-Żółty 146-150: Macro 5 – płynna zmiana: Czerwony-Zielony-Niebieski 151-155: Macro 6 - płynna zmiana: Czerwony-Zielony-Niebieski-Cyan-Magenta-Żółty-Biały 156-160: Macro 7 - płynna zmiana: Czerwony-Zielony-Niebieski-Cyan-Magenta-Żółty 161-165: Macro 8 - płynna zmiana: Czerwony-Magenta-Niebieski-Cyan-Zielony-Żółty 166-170: Macro 9 - płynna zmiana: Czerwony-Pomarańczowy-Żółty 171-175: Macro 10 - płynna zmiana: Czerwony-Fioletowy-Niebieski-Magenta 176-180: Macro 11 - płynna zmiana: Zielony-Cyan-Niebieski-Fioletowy 181-235: brak funkcji 236-240: sterowanie dźwiękiem 1: Czerwony-Zielony-Niebieski 241-245: sterowanie dźwiękiem 2: Czerwony-Zielony-Niebieski-Cyan-Magenta-Żółty-Biały 246-250: sterowanie dźwiękiem 3: Czerwony-Zielony-Niebieski-Cyan-Magenta-Żółty 251-255: sterowanie dźwiękiem 4: Czerwony-Magenta-Niebieski-Cyan-Zielony-Żółty</p>
CH 10	Prędkość	<p><u>Dla wartości 6-125 (kolor) ustawionych w kanale 7 (CH7)</u> 0-5: brak funkcji 6-255: pulsowanie, szybko-wolno</p> <p><u>Dla wartości 126-180 (macro) ustawionych w kanale 7 (CH7)</u> 0-255: prędkość efektów Macro, szybko-wolno</p>

Pro 8 [6CH]

Kanał	Funkcja	Efekt
CH 1	Czerwony	0-255: 0-100%
CH 2	Zielony	0-255: 0-100%
CH 3	Niebieski	0-255: 0-100%
CH 4	Biały	0-255: 0-100%
CH 5	Amber	0-255: 0-100%
CH 6	UV	0-255: 0-100%
CH 7	Jasność	0-255: 0-100%
CH 8	Strobo	0-10: brak funkcji 11-255: Strobo 1-20Hz

Pro 9 [7CH]

Kanał	Funkcja	Efekt
CH 1	Czerwony	0-255: 0-100%
CH 2	Zielony	0-255: 0-100%
CH 3	Niebieski	0-255: 0-100%
CH 4	Biały	0-255: 0-100%
CH 5	Amber	0-255: 0-100%
CH 6	UV	0-255: 0-100%
CH 7	Jasność	0-255: 0-100%
CH 8	Jasność - precyzyjnie	0-255: ustawienie precyzyjne (16-bit)
CH 9	Strobo	0-10: brak funkcji 11-255: Strobo 1-20Hz

RGB [3CH]

Kanał	Funkcja	Efekt
CH 1	Czerwony	0-255: 0-100%
CH 2	Zielony	0-255: 0-100%
CH 3	Niebieski	0-255: 0-100%

RGBWA+UV [6CH]

Kanał	Funkcja	Efekt
CH 1	Czerwony	0-255: 0-100%
CH 2	Zielony	0-255: 0-100%
CH 3	Niebieski	0-255: 0-100%
CH 4	Biały	0-255: 0-100%
CH 5	Amber	0-255: 0-100%
CH 6	UV	0-255: 0-100%

RGB 16-bit [6CH]

Channel	Funkcja	Efekt
CH 1	Czerwony	0-255: 0-100%
CH 2	Czerwony - precyzyjnie	0-255: ustawienie precyzyjne (16-bit)
CH 3	Zielony	0-255: 0-100%
CH 4	Zielony – precyzyjnie	0-255: ustawienie precyzyjne (16-bit)
CH 5	Niebieski	0-255: 0-100%
CH 6	Niebieski – precyzyjnie	0-255: ustawienie precyzyjne (16-bit)

RGBWA+UV 16-bit [12CH]

Channel	Funkcja	Efekt
CH 1	Czerwony	0-255: 0-100%
CH 2	Czerwony – precyzyjnie	0-255: ustawienie precyzyjne (16-bit)
CH 3	Zielony	0-255: 0-100%
CH 4	Zielony - precyzyjnie	0-255: ustawienie precyzyjne (16-bit)
CH 5	Niebieski	0-255: 0-100%
CH 6	Niebieski – precyzyjnie	0-255: ustawienie precyzyjne (16-bit)
CH 7	Biały	0-255: 0-100%
CH 8	Biały – precyzyjnie	0-255: ustawienie precyzyjne (16-bit)
CH 9	Amber	0-255: 0-100%
CH 10	Amber fine	0-255: ustawienie precyzyjne (16-bit)
CH 11	UV	0-255: 0-100%
CH 12	UV fine	0-255: ustawienie precyzyjne (16-bit)

Flash A-DMX [8CH]		
Channel	Funkcja	Efekt
CH 1	Czerwony	0-255: 0-100%
CH 2	Zielony	0-255: 0-100%
CH 3	Niebieski	0-255: 0-100%
CH 4	Biały	0-255: 0-100%
CH 5	Jasność	0-255: 0-100%
CH 6	EMPTY	0-255: brak funkcji
CH 7	Strobo	0-10: brak funkcji 11-255: Strobo 1-20Hz
CH 8	Kolor/Macro	<p>0-5: brak funkcji</p> <p>6-10: Czerwony ▲</p> <p>11-15: Zielony ▲</p> <p>16-20: Niebieski ▲</p> <p>21-25: Cyan ▲</p> <p>26-30: Magenta ▲</p> <p>31-35: Żółty ▲</p> <p>36-40: Jasnoczerwony ▲</p> <p>41-45: Jasnozielony ▲</p> <p>46-50: Jasnoniebieski ▲</p> <p>51-55: Pomarańczowy ▲</p> <p>56-60: Miętowy ▲</p> <p>61-65: Błękitny ▲</p> <p>66-70: Jasny Cyan ▲</p> <p>71-75: Jasny Magenta ▲</p> <p>76-80: Jasnożółty ▲</p> <p>81-85: Biały ▲</p> <p>86-90: Biały 9000K ▲</p> <p>91-95: Biały 6500K ▲</p> <p>96-100: Biały 5600K ▲</p> <p>101-105: Biały 5000K ▲</p> <p>106-110: Biały 4500K ▲</p> <p>111-115: Biały 3200K ▲</p> <p>116-120: Biały 2500K ▲</p> <p>121-125: Biały 2200K ▲</p> <p>126-130: Macro 1: Czerwony-Zielony-Niebieski</p> <p>131-135: Macro 2: Czerwony-Zielony-Niebieski-Cyan-Magenta-Żółty-Biały</p> <p>136-140: Macro 3: Czerwony-Zielony-Niebieski-Cyan-Magenta-Żółty</p> <p>141-145: Macro 4: Czerwony-Magenta-Niebieski-Cyan-Zielony-Żółty</p> <p>146-150: Macro 5 - płynna zmiana: Czerwony-Zielony-Niebieski</p> <p>151-155: Macro 6 - płynna zmiana: Czerwony-Zielony-Niebieski-Cyan-Magenta-Żółty-Biały</p> <p>156-160: Macro 7 - płynna zmiana: Czerwony-Zielony-Niebieski-Cyan-Magenta-Żółty</p> <p>161-165: Macro 8 - płynna zmiana: Czerwony-Magenta-Niebieski-Cyan-Zielony-Żółty</p> <p>166-170: Macro 9 - płynna zmiana: Czerwony-Orange-Żółty</p> <p>171-175: Macro 10 - płynna zmiana: Czerwony-Violet-Niebieski-Magenta</p> <p>176-180: Macro 11 - płynna zmiana: Zielony-Cyan-Niebieski-Violet</p> <p>181-235: brak funkcji</p> <p>236-240: Sterowanie dźwiękiem 1: Czerwony-Zielony-Niebieski</p> <p>241-245: Sterowanie dźwiękiem 2: Czerwony-Zielony-Niebieski-Cyan-Magenta-Żółty-Biały</p> <p>246-250: Sterowanie dźwiękiem 3: Czerwony-Zielony-Niebieski-Cyan-Magenta-Żółty</p> <p>251-255: Sterowanie dźwiękiem 4: Czerwony-Magenta-Niebieski-Cyan-Zielony-Żółty</p>